

# G E N O A

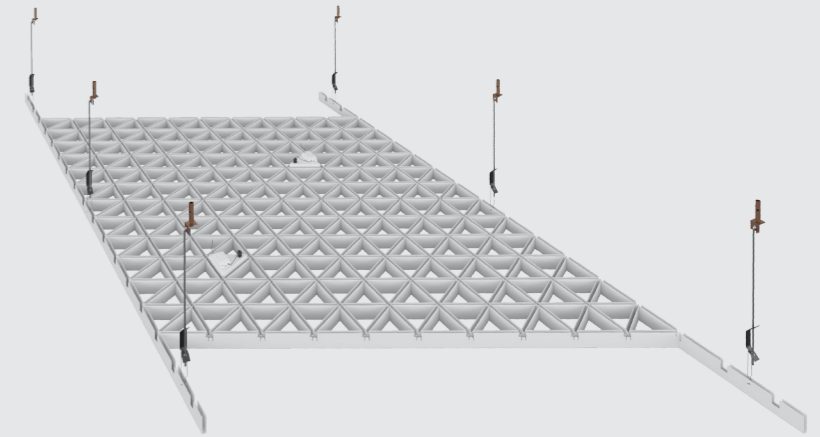


# GENOA

## INTEGRA GENOA TRIANGULAR CEILINGS

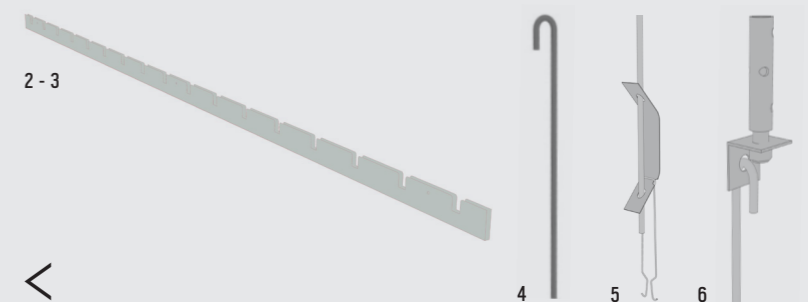
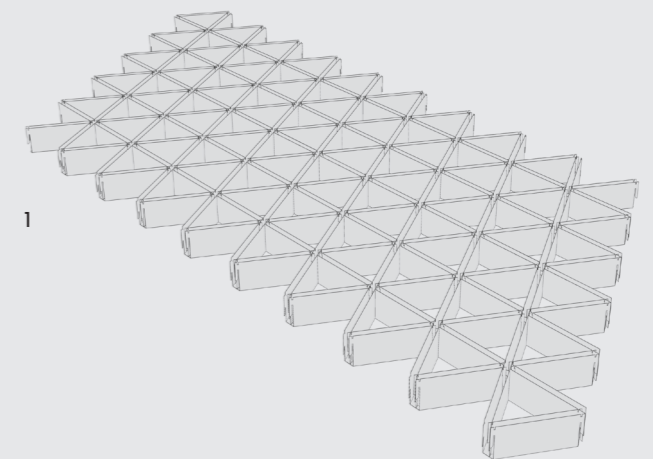
With over 30 years of experience, Aspen proudly presents the newest addition to its Integra Open Cell product line-up.

Providing a continuous aesthetic stemming from its integrated suspension system; GENOA ceilings are formed via triangular grids fabricated by aluminum.



### System Components:

1. GENOA Triangular Open Cell Panel
2. Primary Profile
3. Secondary Profile
4. Hanger Wire
5. Spring Clip
6. Ceiling Anchor

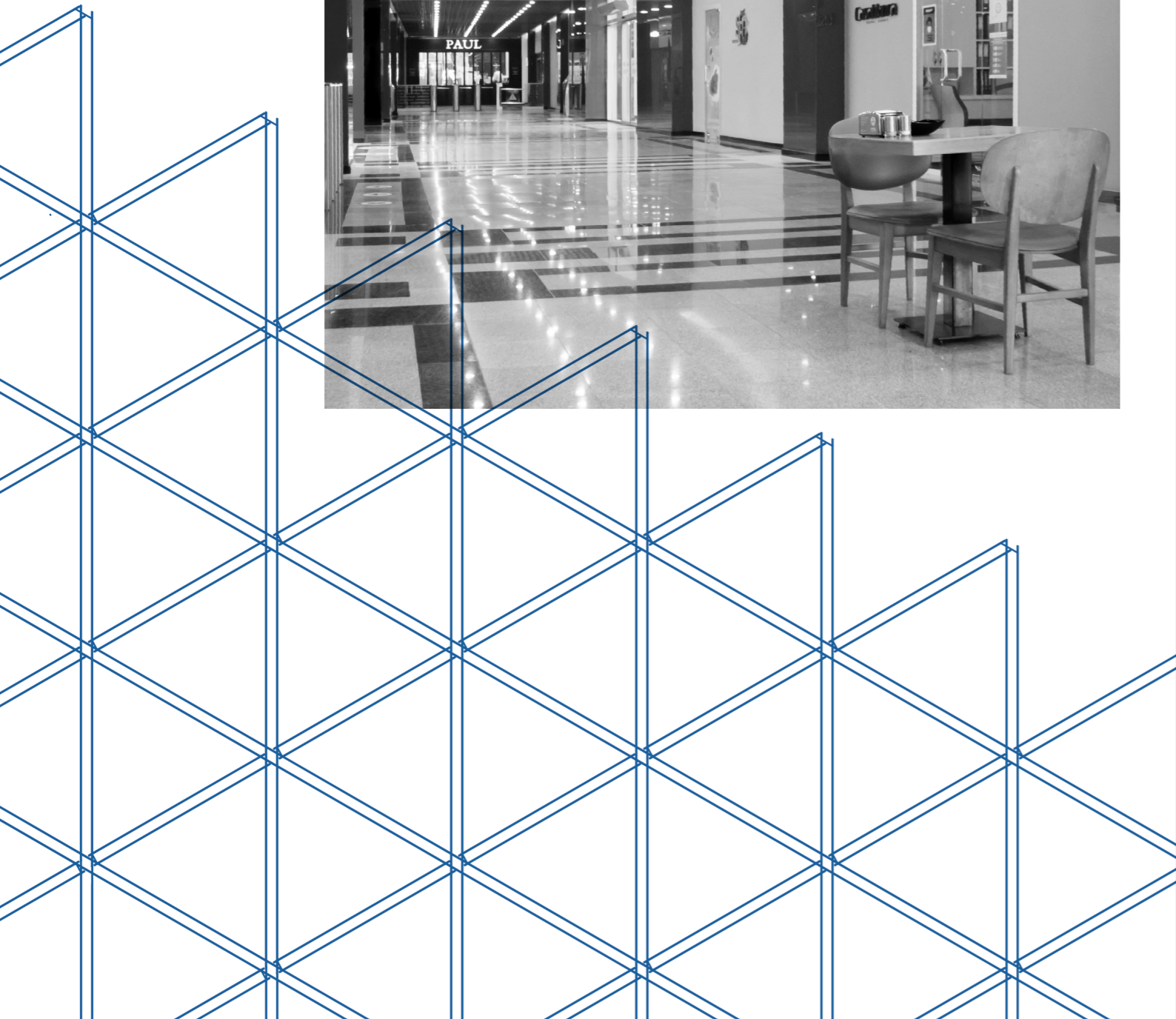




*Specially fabricated aluminum triangular cells provide a seamless aesthetic that is further accentuated when used in conjunction with our proprietary integrated lighting solutions.*

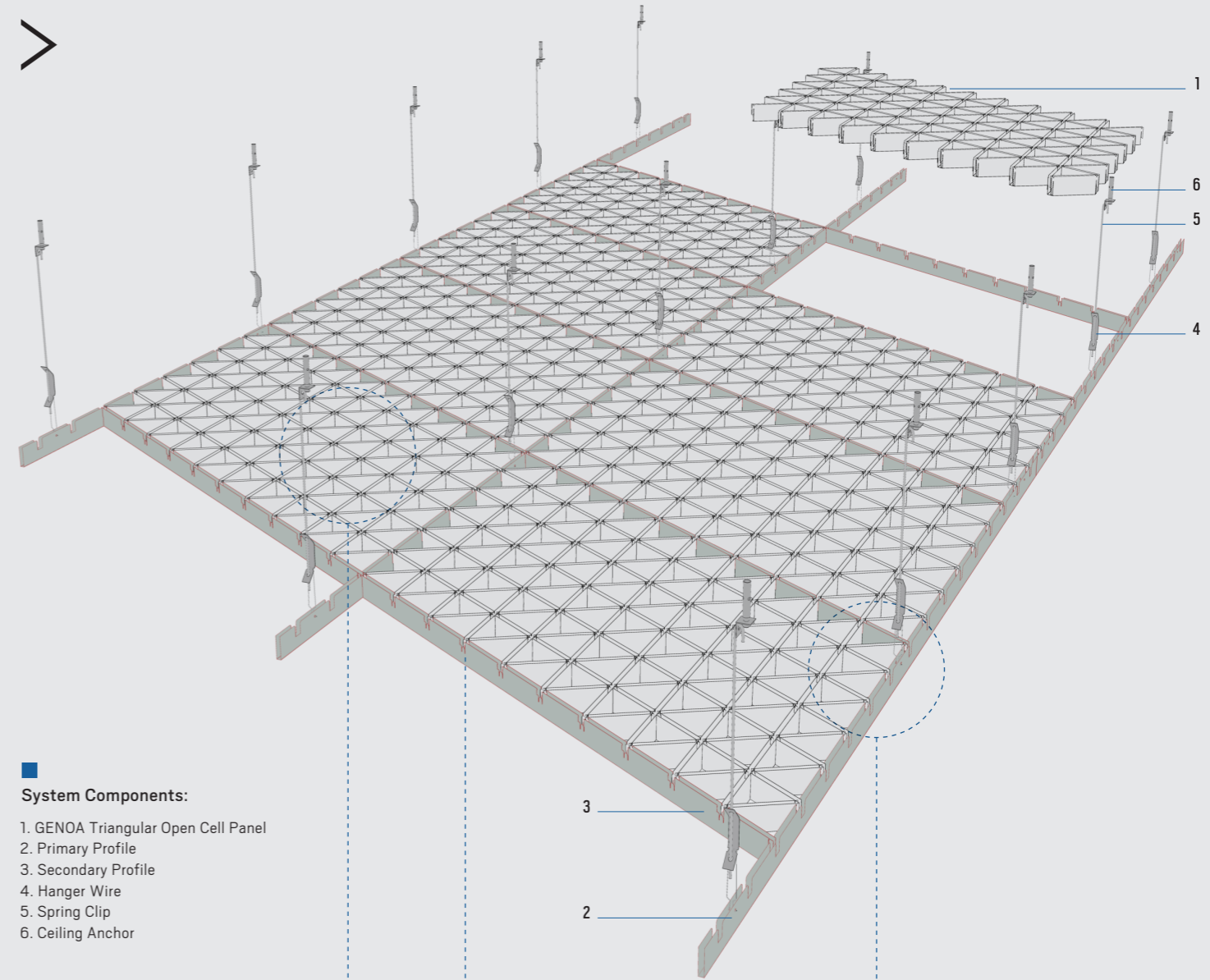


**System Properties:**  
 Raw Material: 0,4mm Aluminum  
 Cross Section: U Profile (b:10mm h:40mm)  
 Cell Size: 150x150mm  
 Panel Size: 662x1158mm



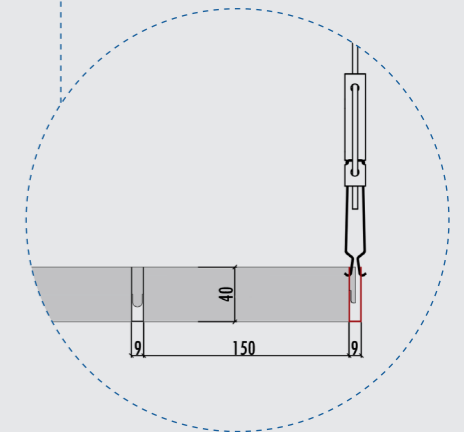
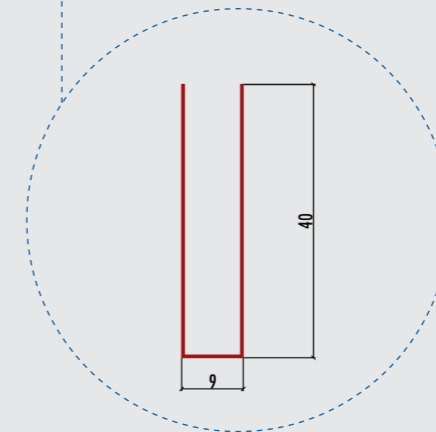
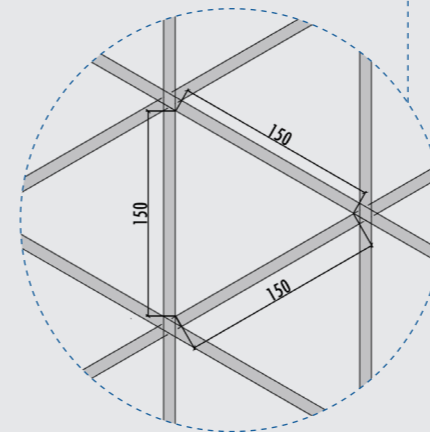
# GENOA

**Integra Genoa Ceilings** are preferred in spaces where an innovative and daring design is especially a priority. Shopping Malls, Cafes, Restaurants, Metro Stations and Airports would be a few of many examples.



## System Components:

1. GENOA Triangular Open Cell Panel
2. Primary Profile
3. Secondary Profile
4. Hanger Wire
5. Spring Clip
6. Ceiling Anchor



This system is EPD (Environmental Product Declaration) certified in accordance with ISO 14025 and EN 15804.

>  
[aspen.com.tr](http://aspen.com.tr)

