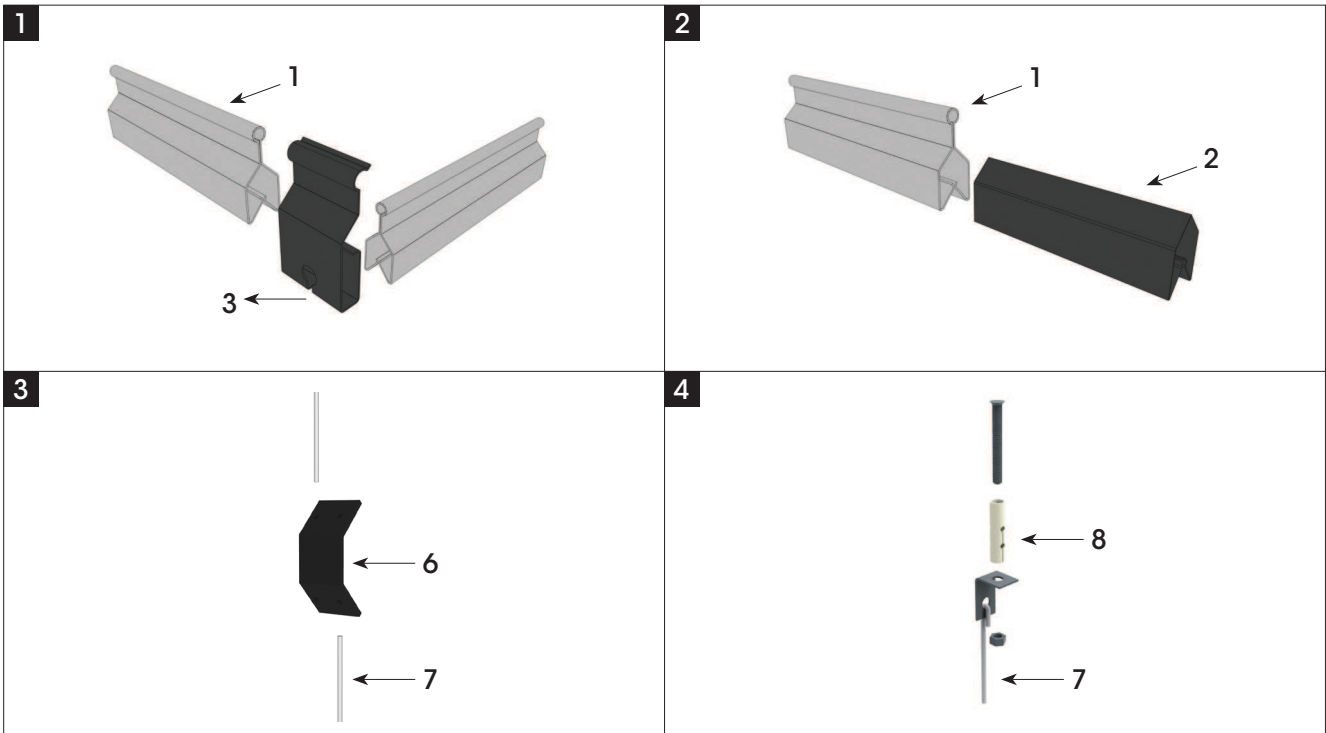
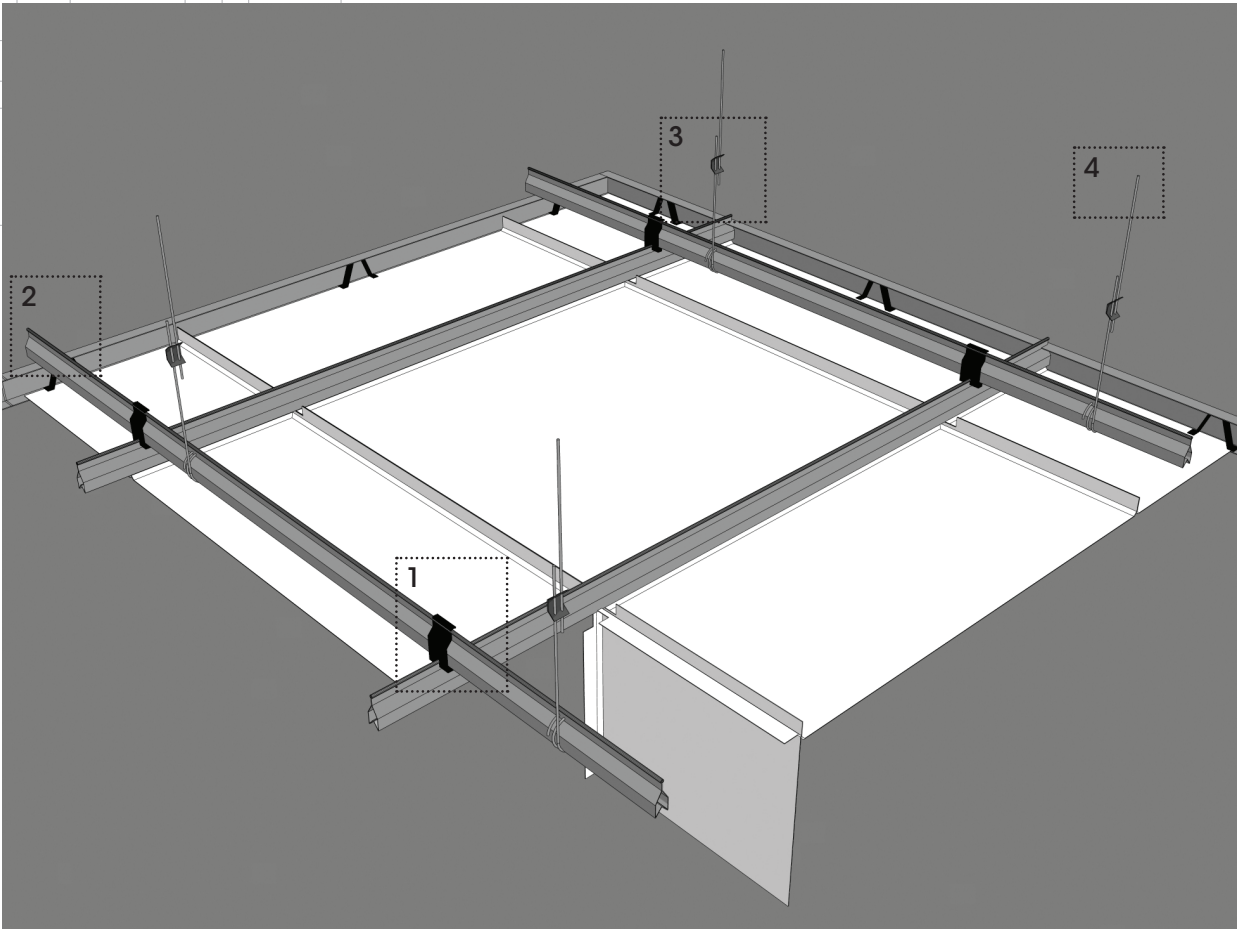




INTEGRA PLANK INTEGRA PLANK

Clip-in Plank Sistem Clip-in Plank System

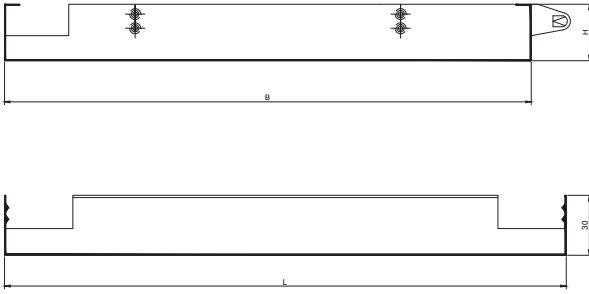
Clip-in Hinge Down
Clip-in Hinge Down



Clip-in Plank

Clip-in Hinge down paneller, sistemden ayrılmadan aşağı doğru sarkıtılarak demonte edilebilir ve böylece tavan üstü tesisata kolay ve sık ulaşım gerektiren alanlarda kullanım rahatlığı sunar.

Standart Panel / Standard Panel

**Panel Tanımı**

Hammadde: Galvanize çelik, Paslanmaz çelik, Alüminyum.

Kenar özelliği: Küt, Pahlı

En: 200-1200mm

Boy: 200-3000 mm

Boya: RAL 9006, RAL 9010, RAL 9016

- . İsteğe bağlı olarak tüm RAL renklerinde üretim yapılabilir.
- . Özellikle hijyen gerektiren alanlar için anti bakteriyel boya seçeneği mevcuttur.
- . İstenildiğinde ahşap görünümlü paneller üretilebilir.
- . Daha fazla bilgi için bkz. **Renk ve Desen**

Perforasyon: Ø0.7, Ø1.5, Ø1.8, Ø2.5, Ø3, Ø4.5, Ø6, Ø7, Ø16, 8x8, Random

- . Daha fazla bilgi için bkz. **Perforasyon**

Akustik: NRC 0,70(Ø2.5mm %16 boşluk oranı)
Daha fazla bilgi için bkz. **Akustik**

Yangın: Yangın tepki sınıfı A2-s1,d0.
Daha fazla bilgi için bkz. **Standartlar**

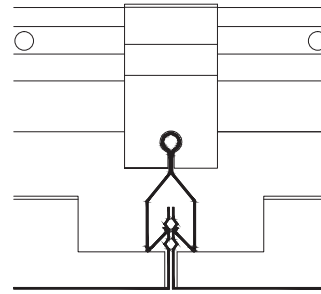
Teknik Standartlar:

- . Clip-in Heavy Duty taşıyıcı sistem ile desteklenen, ISO9001:2008, TSE ve CE belgeli tesisimizde Avrupa, Amerika ve TAIM (Technical Association of Industrial Metal Ceiling Manufacturers) standartlarına uygun olarak imal edilmektedir.
- . Malzemenin yangın tepki sınıfı, uluslar arası akredite edilmiş test kuruluşlarında yaptırılmış yangın testi ile EN 13501-1 standardı uyarınca yapılan sınıflandırma sonucu A2-s1,d0 olarak belgelenmiştir.

Clip-in Plank

Clip-in Hinge- Down panels can be swung down from the ceiling and allowed to hang from the profile edge hinges. In areas where frequent and quick access to installations within the ceiling void requirement, this feature offers greater ease of usage.

Standart Birleşim / Standard Connection

**Panel Description**

Raw material: Galvanized Steel, Stainless Steel, Aluminium.

Edge Option: Square, Bevelled

Width: 200-1200mm

Length: 200-3000 mm

Colour: RAL9006, RAL9010, RAL9016

- . Production is possible in all other RAL colours upon request.
- . Antibacterial paint option is available upon request, especially for areas with hygiene requirements.
- . Panels with wood appearance can be produced if requested.
- . For detailed information please see **Colours and Design**.

Perforation: Ø0.7, Ø1.5, Ø1.8, Ø2.5, Ø3, Ø4.5, Ø6, Ø7, Ø16, 8x8, Random

For detailed information please see **Perforation**.

Acoustics: NRC: 0,70(Ø2.5mm %16 open area)
For detailed information please see **Acoustics**.

Fire: Reaction to Fire Class A2-s1,d0.
For detailed information please see **Standards**.

Technical Standards:

- . Ceiling panels supported by fully concealed Clip-in Heavy duty suspension system manufactured in accordance with European, American and TAIM (Technical Association of Industrial Metal Ceiling Manufacturers) standards in our factory that have ISO9001:2008, TSE ve CE certificates.
- . Panels are tested in accordance with EN 13501-1 and must be designed to comply with Euroclass A2-s1, d0

METAL CEILING SPECIFICATION

... x ... mm Sized Clip-in Hinge Down System

General Description:

Aluminium/Galvanised Steel/Stainless Steel ceiling panels supported by fully concealed Clip-in heavy duty suspension system manufactured in accordance with European, American and TAIM (Technical Association of Industrial Metal Ceiling Manufacturers) standards by a manufacturer that have ISO9001:2008, TSE ve CE certificates.

Ceilings are tested in accordance with EN 13501-1 and must be designed to comply with at least Euroclass A2-s1, d0

Panel Description:

Raw material: Ceiling panels manufactured from ... mm Galvanised Steel/Stainless Steel/Aluminium.

Colour: Ceiling panels coated electrostatically applied powder coating coloured RAL ... (min. 40 µ thickness and approx. %20 Gloss Rate)

Acoustical inlay: Ceiling panels are manufactured with 0,2 mm thickness, black acoustical inlay (Royalin/Soundtex) to achieve sound absorption $\alpha_w = \dots$ for Ø... mm Perforation (%.. open area)

Perforation: Ceiling panels are perforated Ø... mm (% ... open area) and plain borders are ... mm.

Edge: Bevelled/Square and double point emboss.

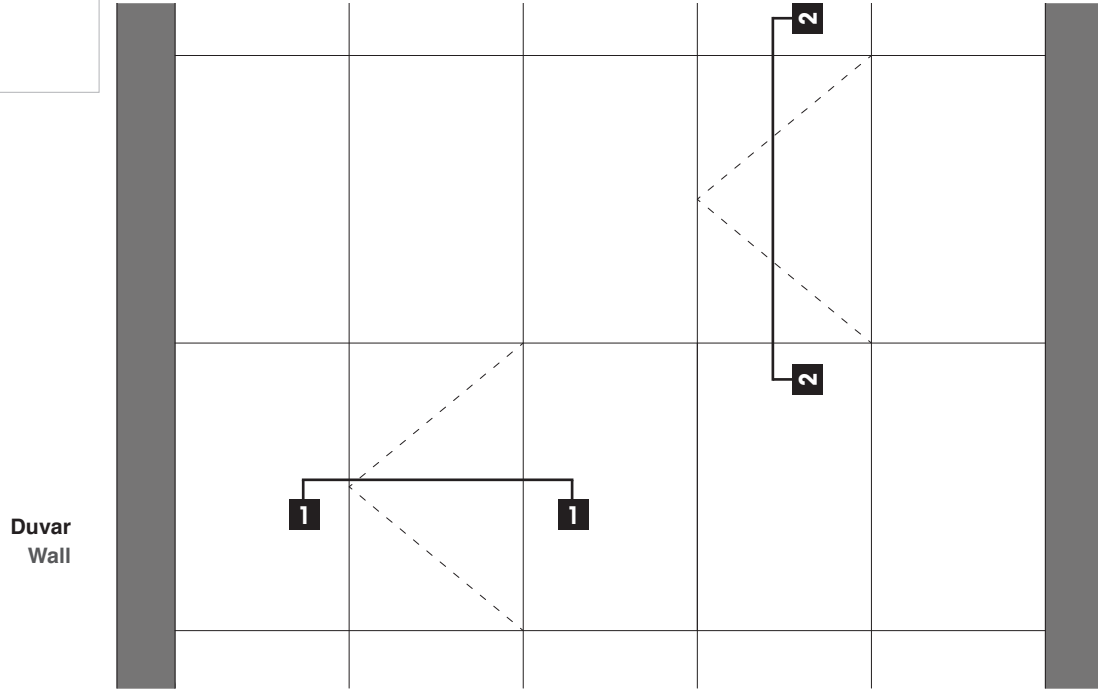
Installation:

C-Wall Angle(4) should be used for lateral sides facing inwards of the gypsum pool. The first hanger system should not exceed 450 mm distance from the wall and the distance between hangers could be max 1000mm. Heavy Duty Nonius Rigid Hanger (Lower Part) (8), Nonius Rigid Hanger (Upper Part) (6) and steel anchor(9) will be used to suspend the Heavy Duty Clip-in Profile(1) securely. Heavy Duty Nonius Rigid Hanger and Nonius Rigid Hanger (Upper Part) are connected to each other by using Connecting pin(7). The distance between Wall-angle and the main runner should be max. 600 mm. The distance between the main runners should not exceed 1200mm. The cross runners should be positioned on 600 mm away from each. Main runners and cross runners are connected by using Coupling Clip(3). In order to add one clip-in profile to another linearly; Heavy Duty Clip-in splice(2) should be used. All Clip-in panels should be removed with a special tool during the installation or later to access to the ceiling void. Lighting, sprinkler or vent places should be cutted out and the components should be mounted according to the project after the installation. In the case of these components come up to suspension system accessories, installation should be continued with mounting suspension system accessories one before and one after the components.

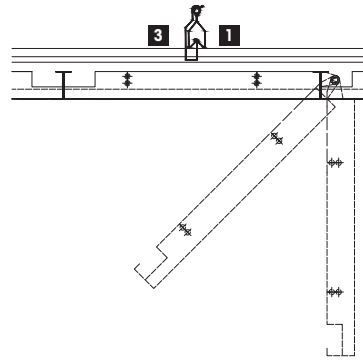
Suspension System:

- 1- KPH-40: Heavy Duty Clip-in profile, 4000 mm length, 0,6 mm thickness, galvanised steel.
- 2- KPS 42: Heavy Duty Clip-in profile splice, 145 mm length, 0,5 mm thickness, galvanised steel.
- 3- KPC 44: Coupling Clip, 1,0 mm thickness, galvanised spring steel
- 4- CDPR 300: C-Wall Angle, 20x40x20 mm sized, 3000 mm length, 0,5 mm thickness, pre-painted galvanised steel
- 5- KT 40: Wedge Clip, 0,5 mm thickness, galvanised steel
- 6- HD-NA: Heavy Duty Nonius Rigid Hanger (Lower Part)
- 7- NU-100: Nonius Rigid Hanger (upper part)
- 8- 1/14: Connecting pin for nonius hangers
- 9- TP-02: Steel anchor that coated by zinc against corrosion

PANEL BAĞLANTI DETAYLARI
PANEL CONNECTION DETAILS



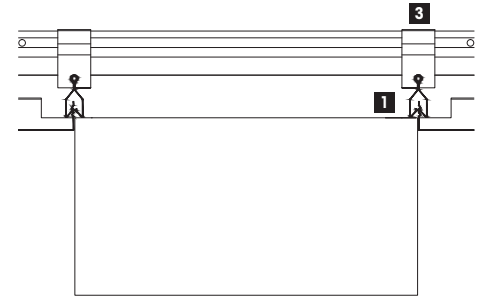
1-1 Kesiti / Section 1-1



Panel Birleşimi
1 Clip-in Heavy Duty Taşıyıcı Profil
3 Heavy Duty Birleşim Klipsi

Panel Connection
1 Clip-in Heavy Duty Profile
3 Heavy Duty Coupling Clip

2-2 Kesiti / Section 2-2



Panel Birleşimi
1 Clip-in Heavy Duty Taşıyıcı Profil
3 Heavy Duty Birleşim Klipsi

Panel Connection
1 Clip-in Heavy Duty Profile
3 Heavy Duty Coupling Clip